

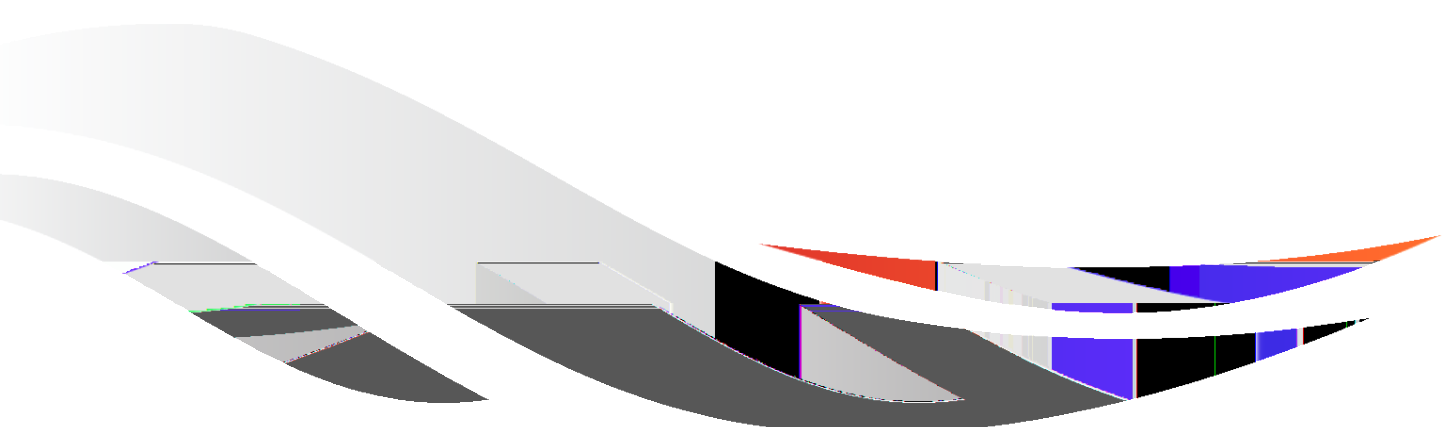


EVB_EC600X、EC800X

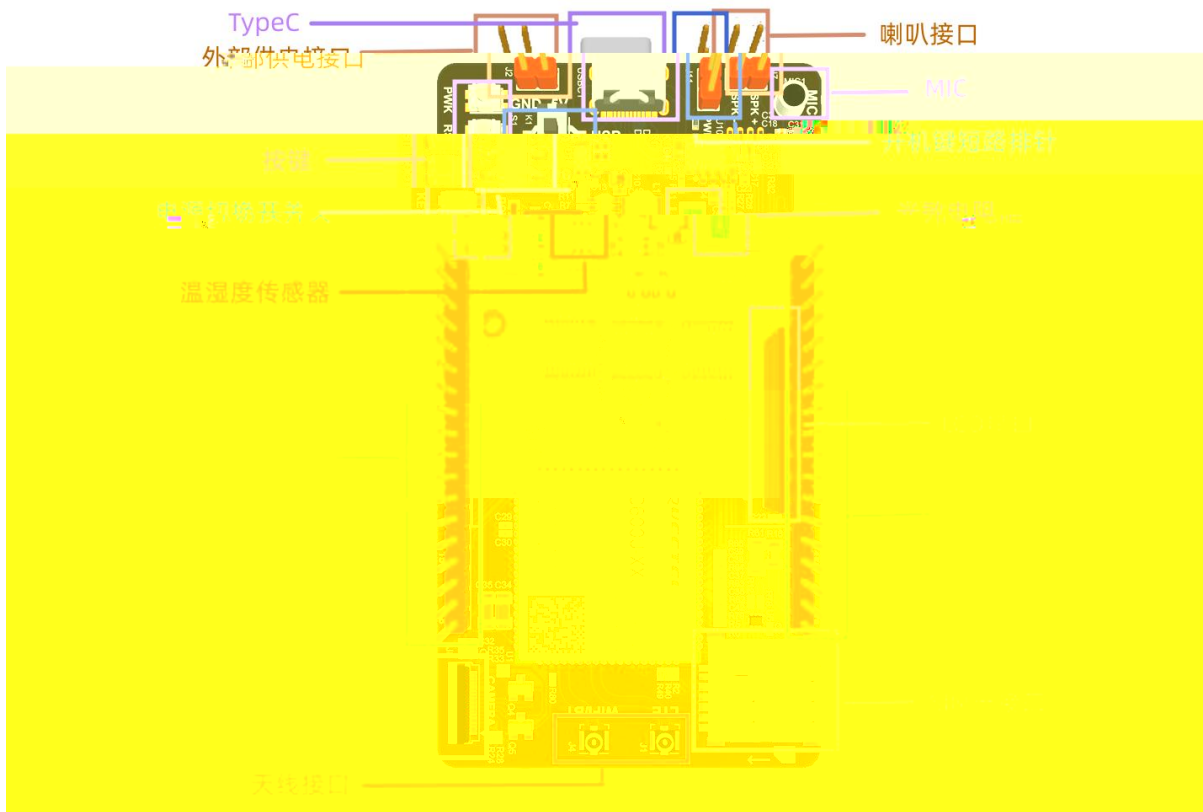
EVB 0X、E800X

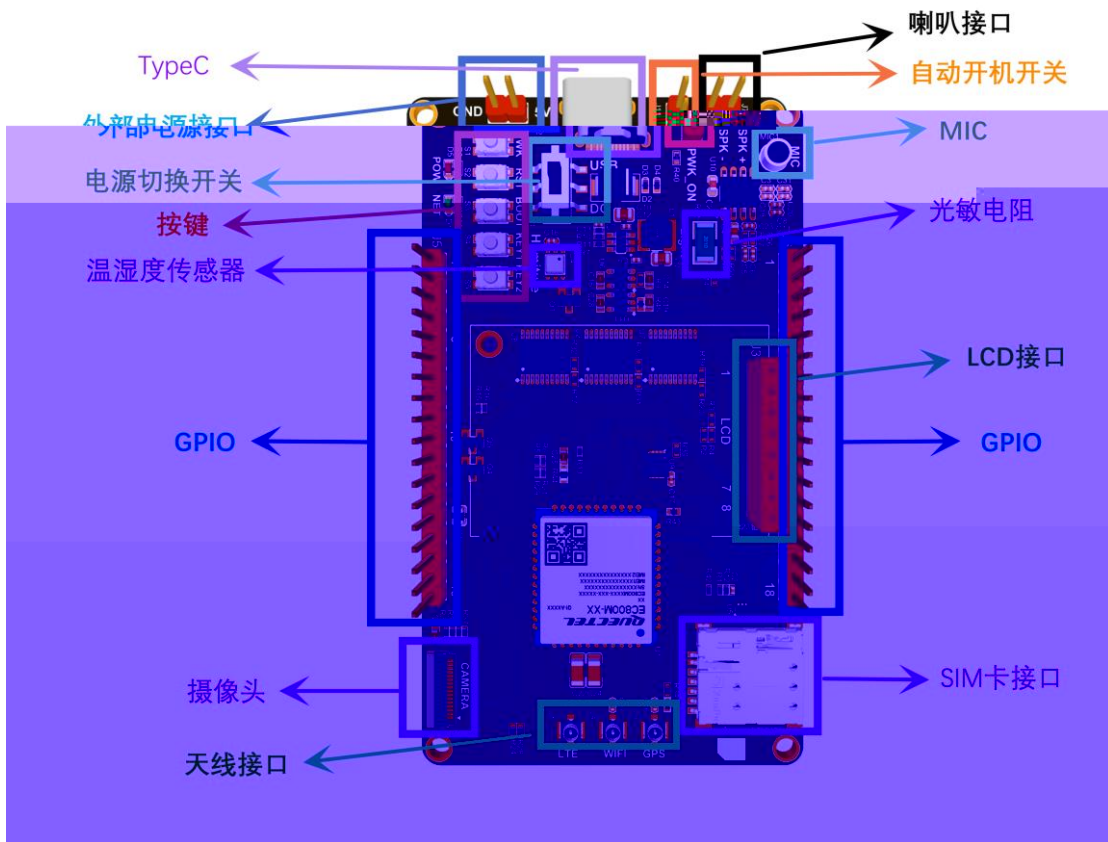
3.2

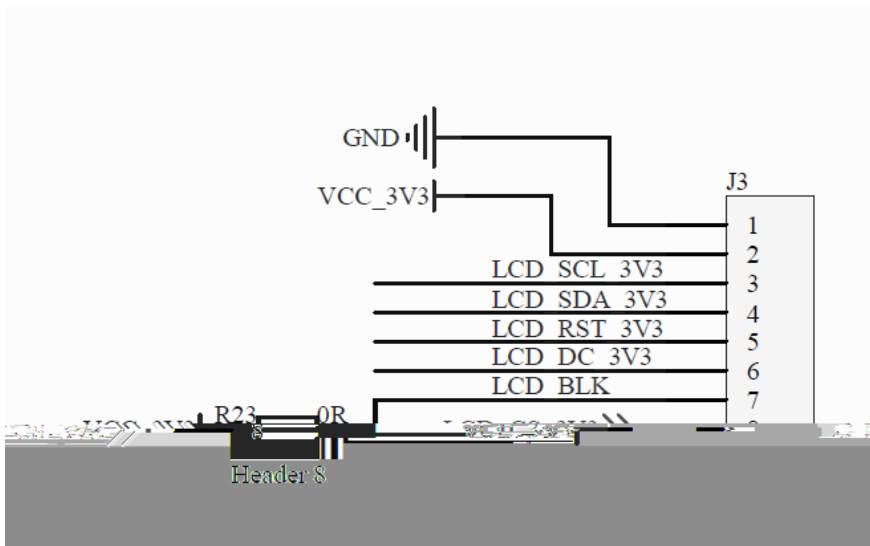
11 07

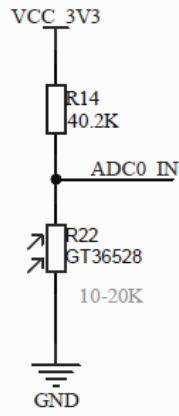


EC600X— EC600 EC600N EC600U EC600M
EC800X— EC800 EC800M EC800E
EVB—
V3.X--

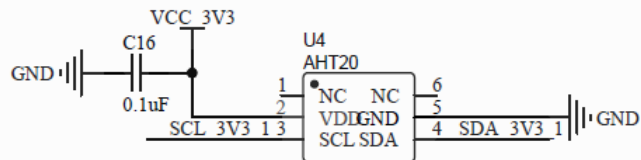
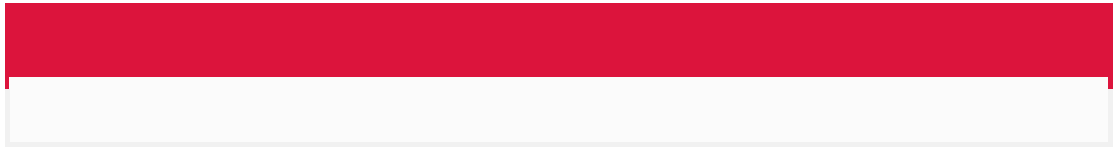


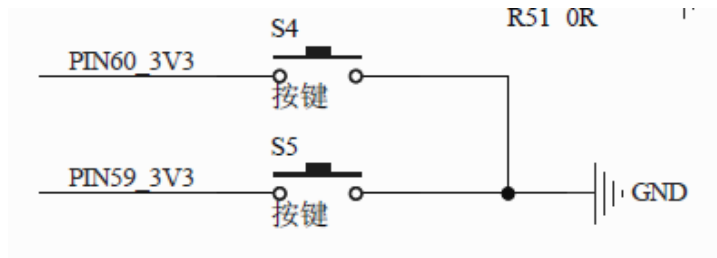
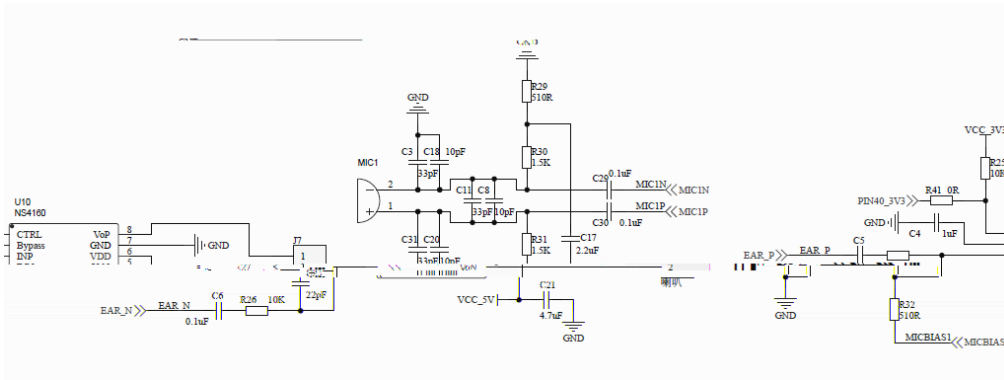




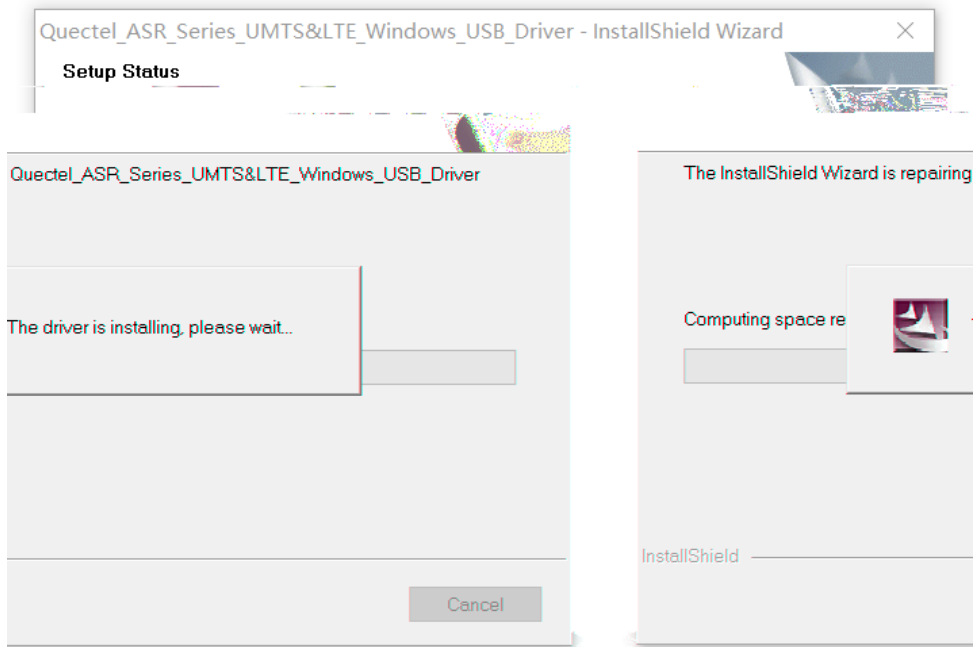


光敏电阻

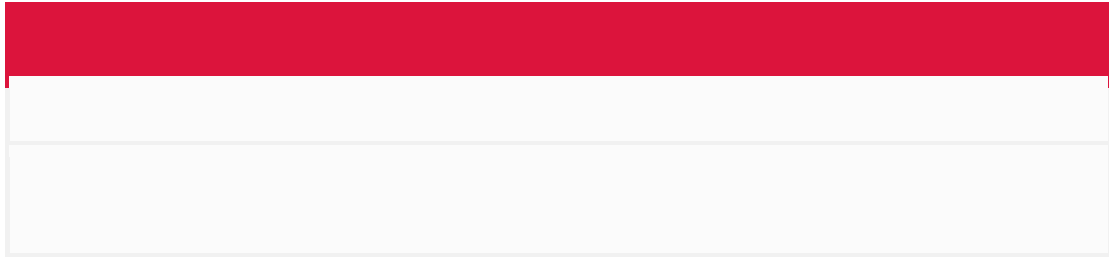




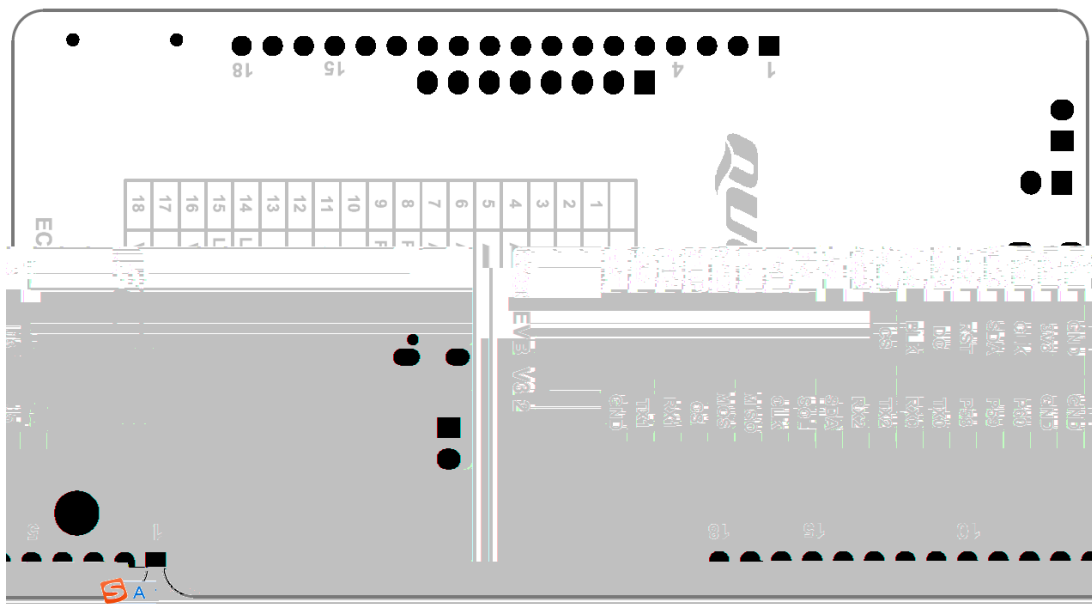
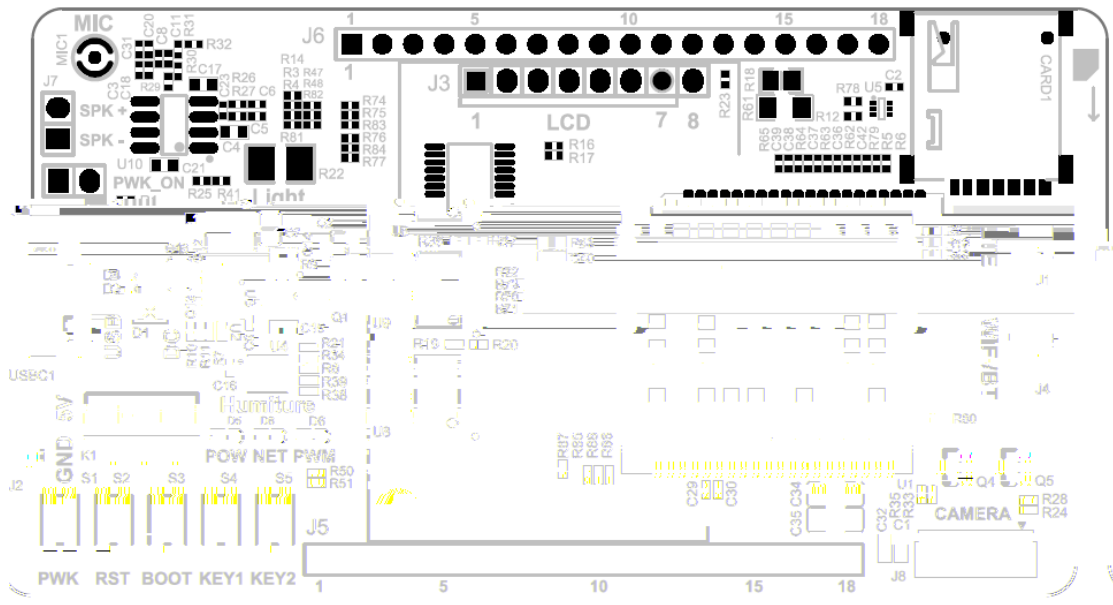
setup.exe

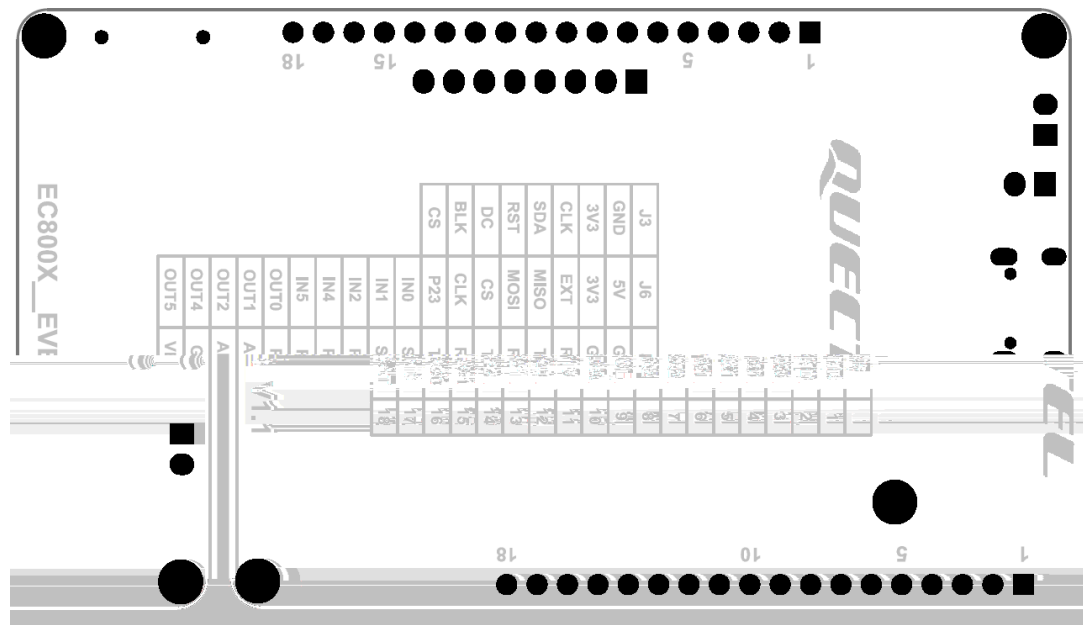
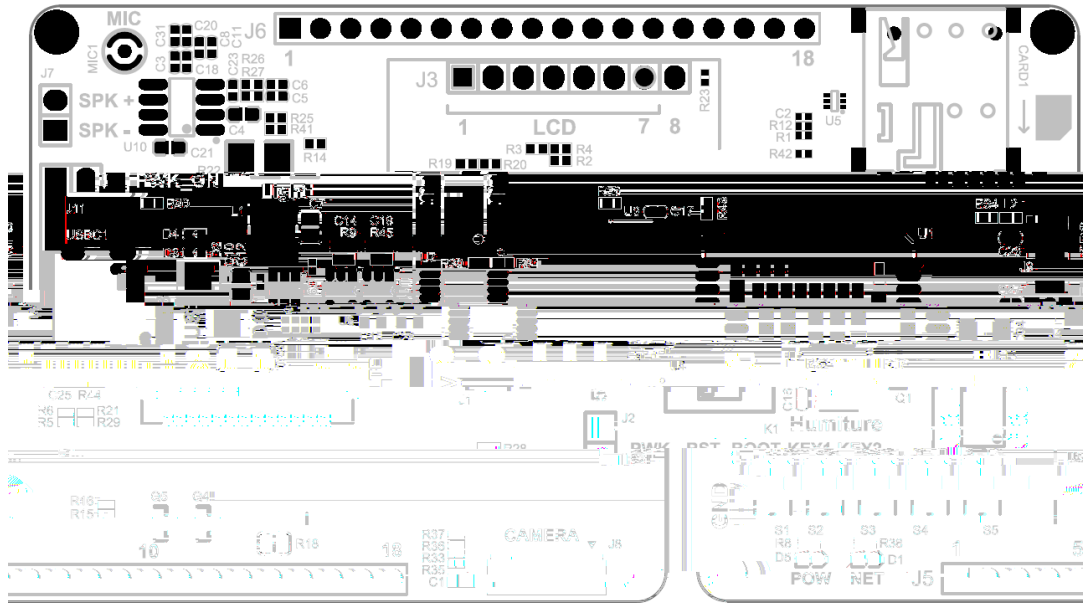


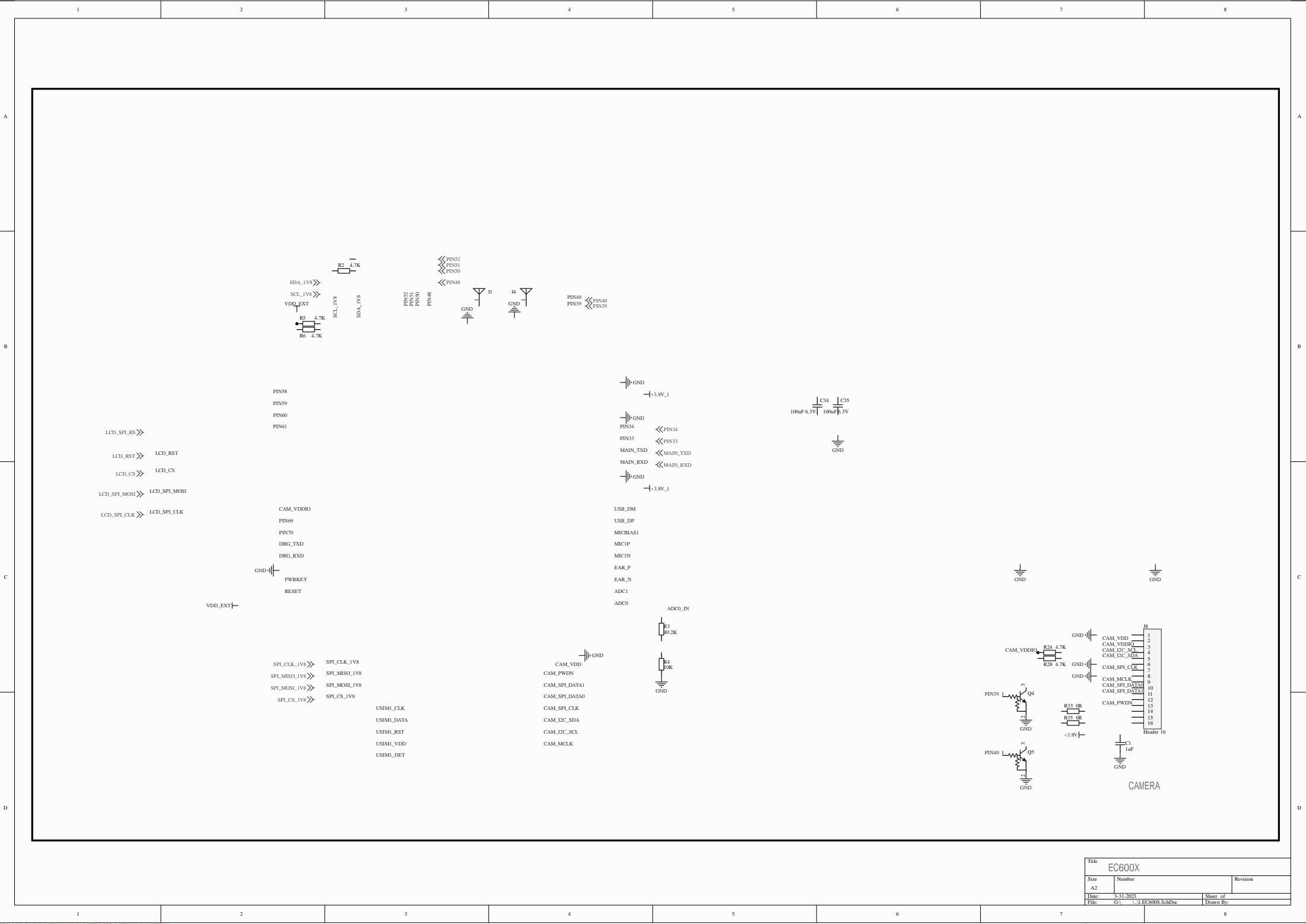
- Quectel USB AT Port (COMx)
- Quectel USB AP Log Port (COMx)
- Quectel USB CP Log Port (COMx)
- Quectel USB Diag Port (COMx)
- Quectel USB MOS Port (COMx)
- Quectel Modem (COMx)
- Quectel USB Serial-1 Port (COMx)
- Quectel USB Serial-2 Port (COMx)



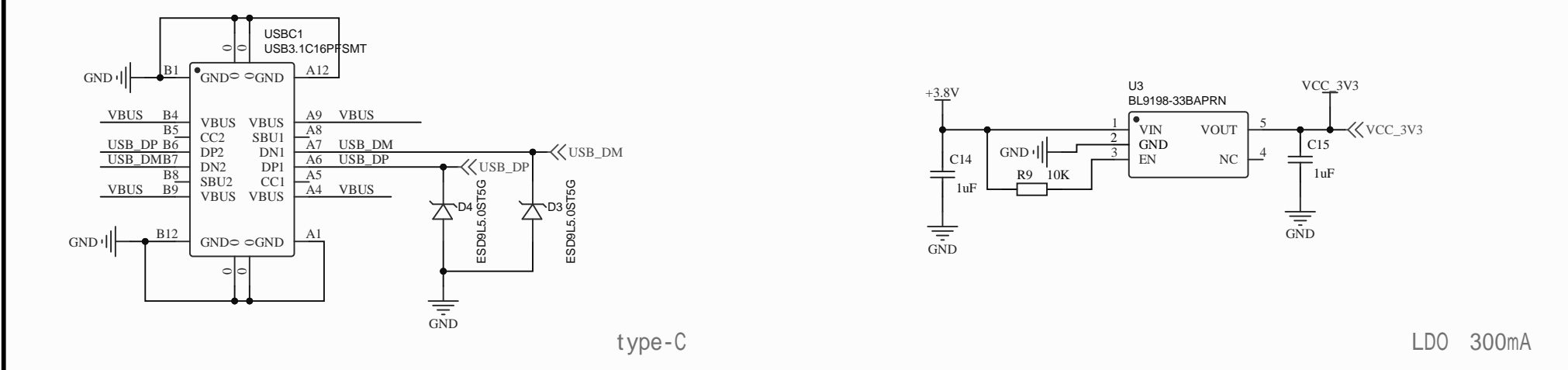
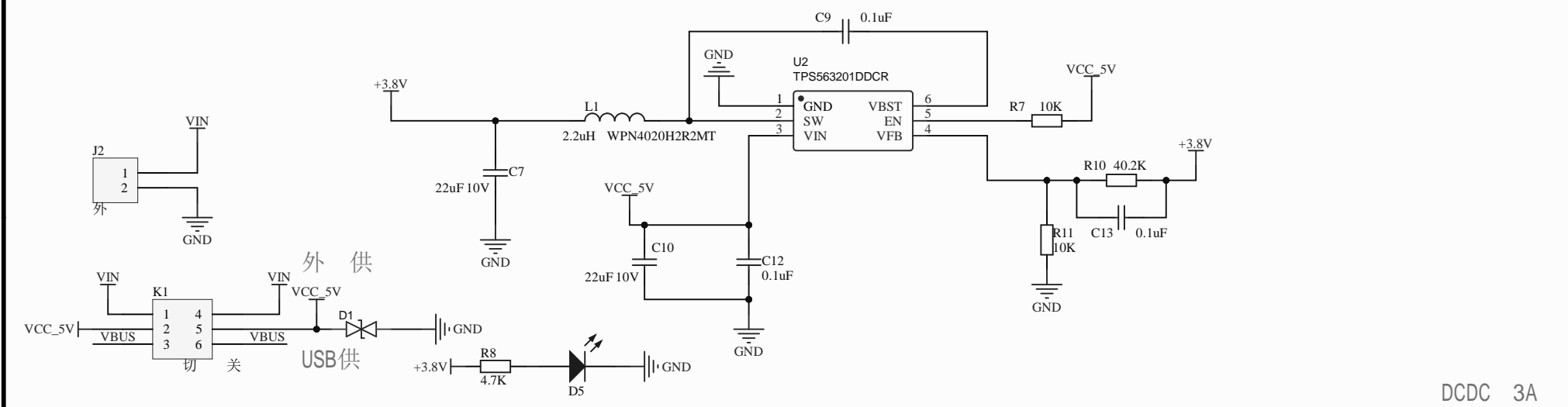




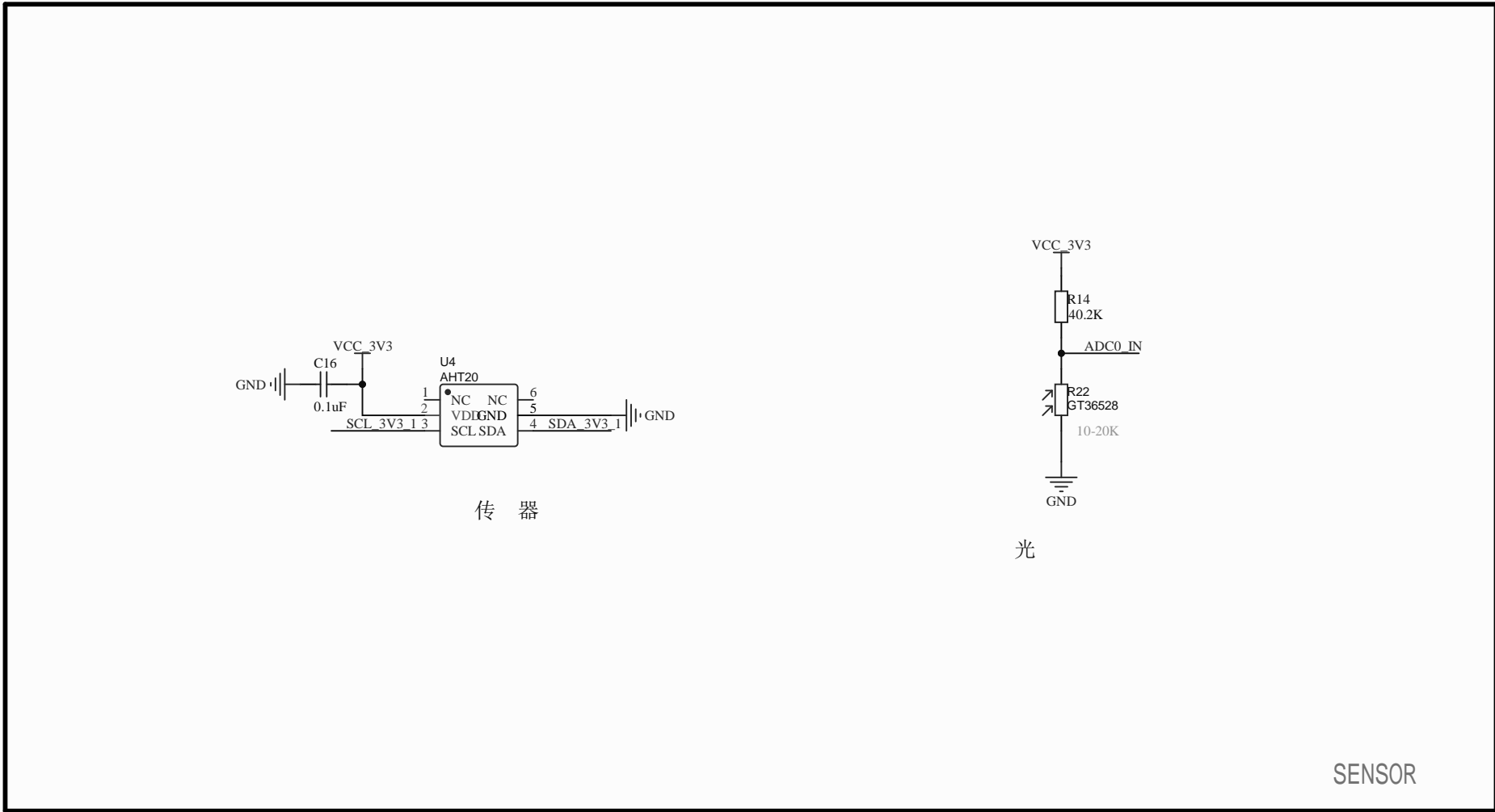




Title		EC600X	
Size	Number	Revision	
A2			
Date	3-31-2023	Sheet of	
File	G:_1\1\EC600S.SchDoc	Drawn By:	



Title		
Size	Number	Revision
A4		
Date:	3-31-2023	Sheet of
File:	G:\...\2.POWER.SchDoc	Drawn By:

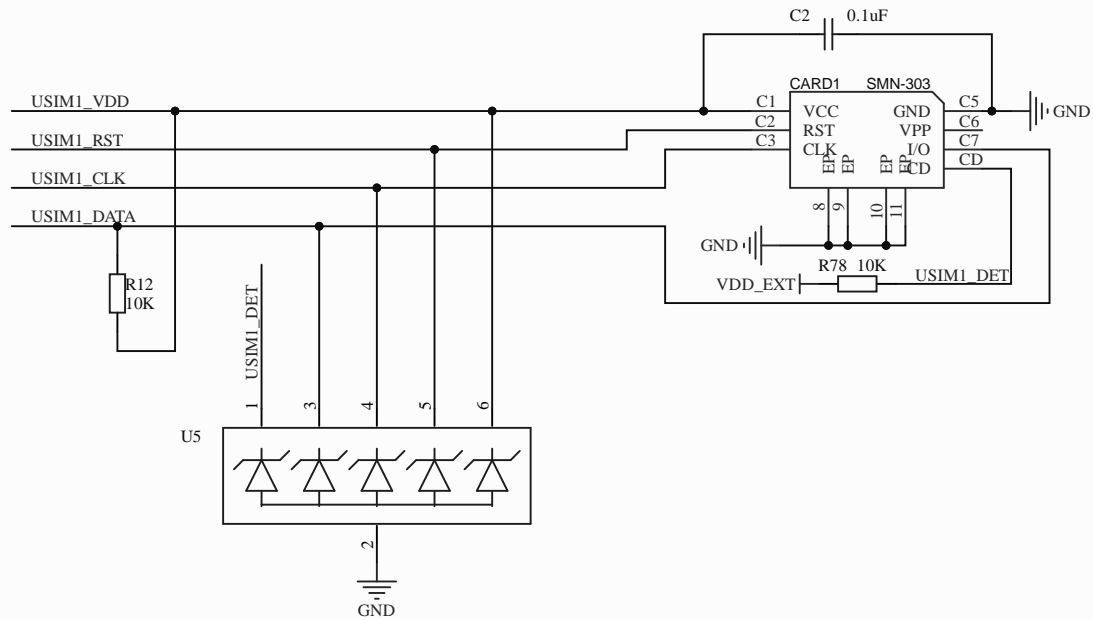


传感器

光

SENSOR

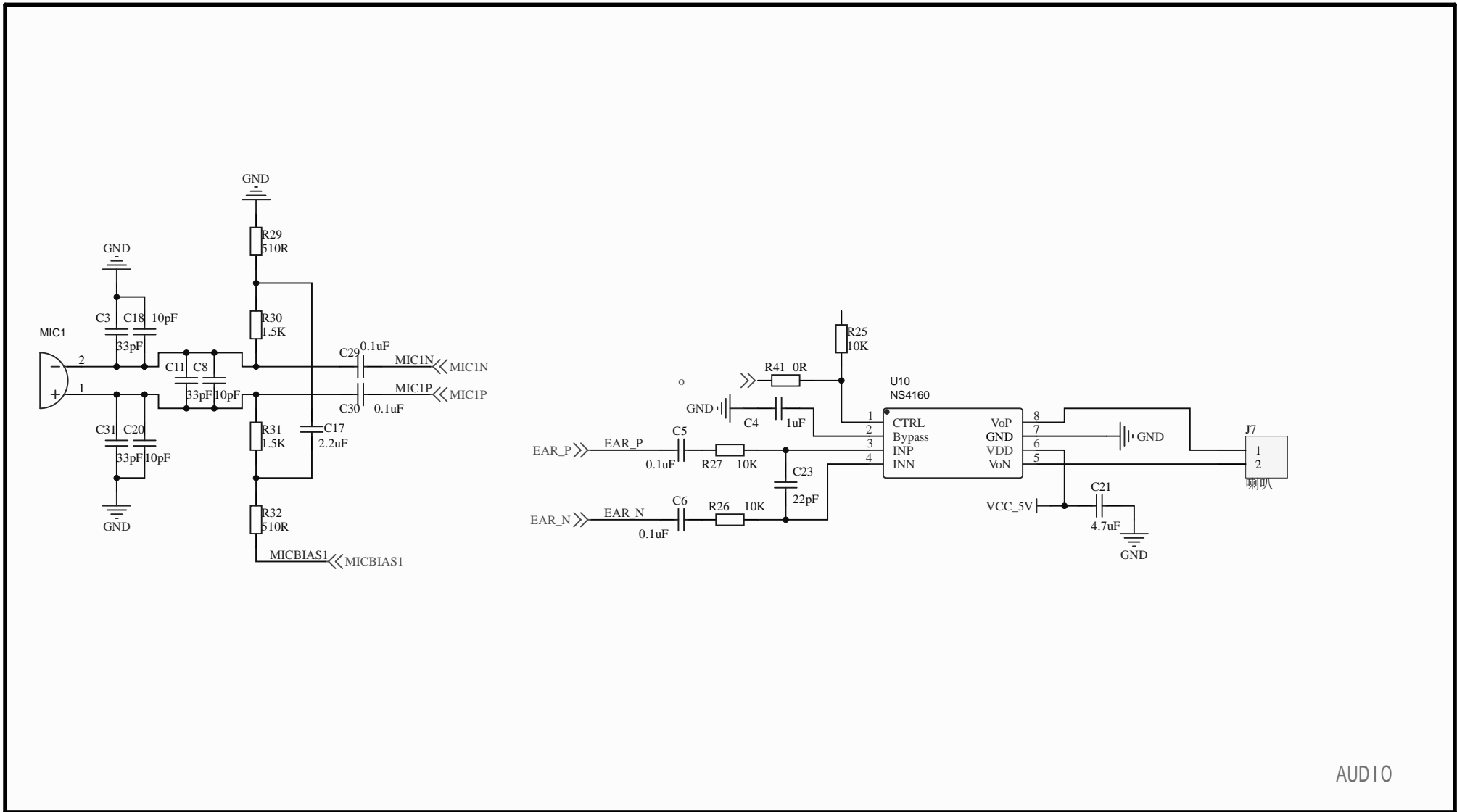
Title		
Size	Number	Revision
A4		
Date:	3-31-2023	Sheet of
File:	G:\...\3.SENSOR+EEPROM.SchDoc Drawn By:	



SIM卡分参官

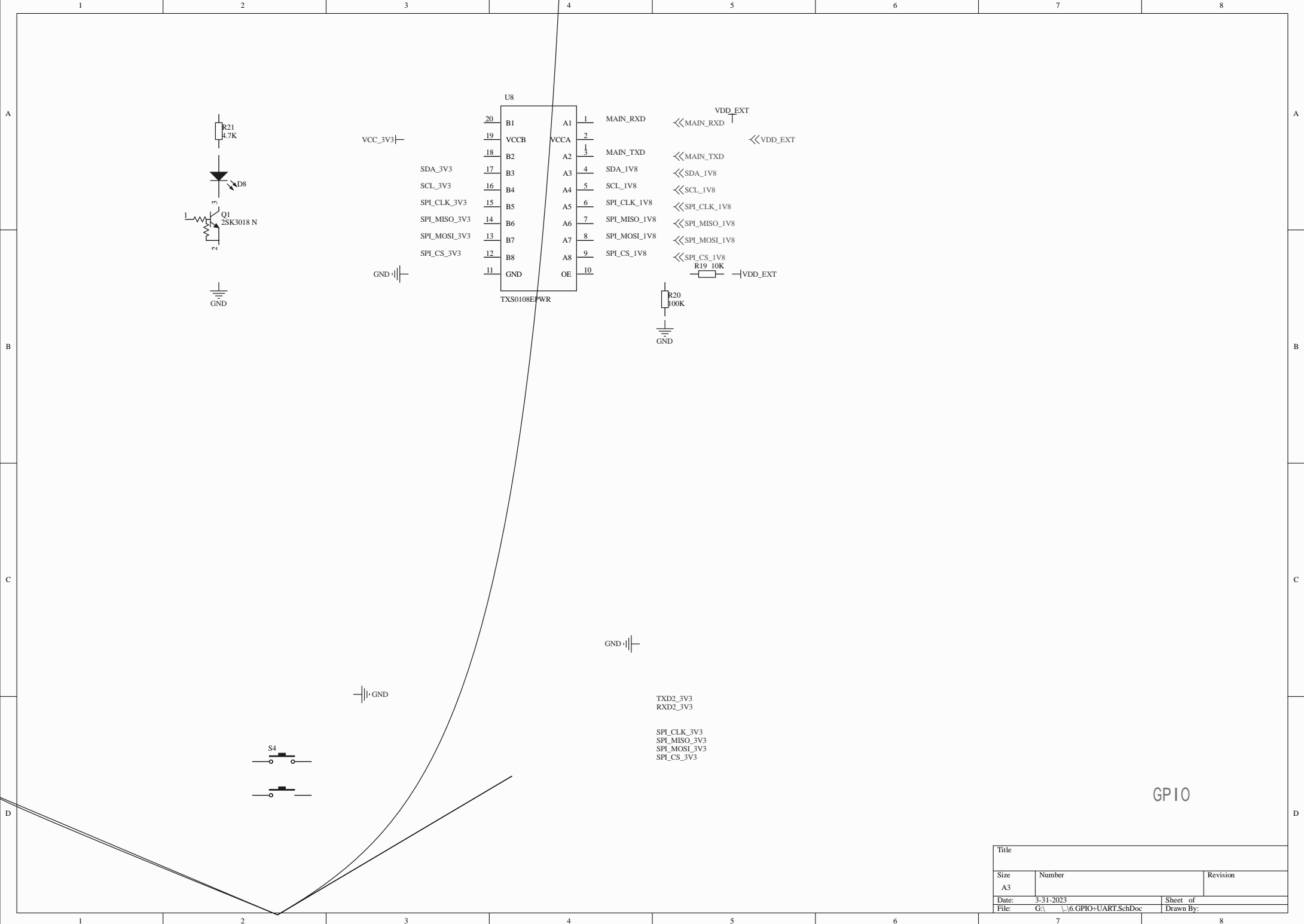
USIM

Title		
Size	Number	Revision
A4		
Date:	3-31-2023	Sheet of
File:	G:\...4.SIM-CARD.SchDoc	Drawn By:



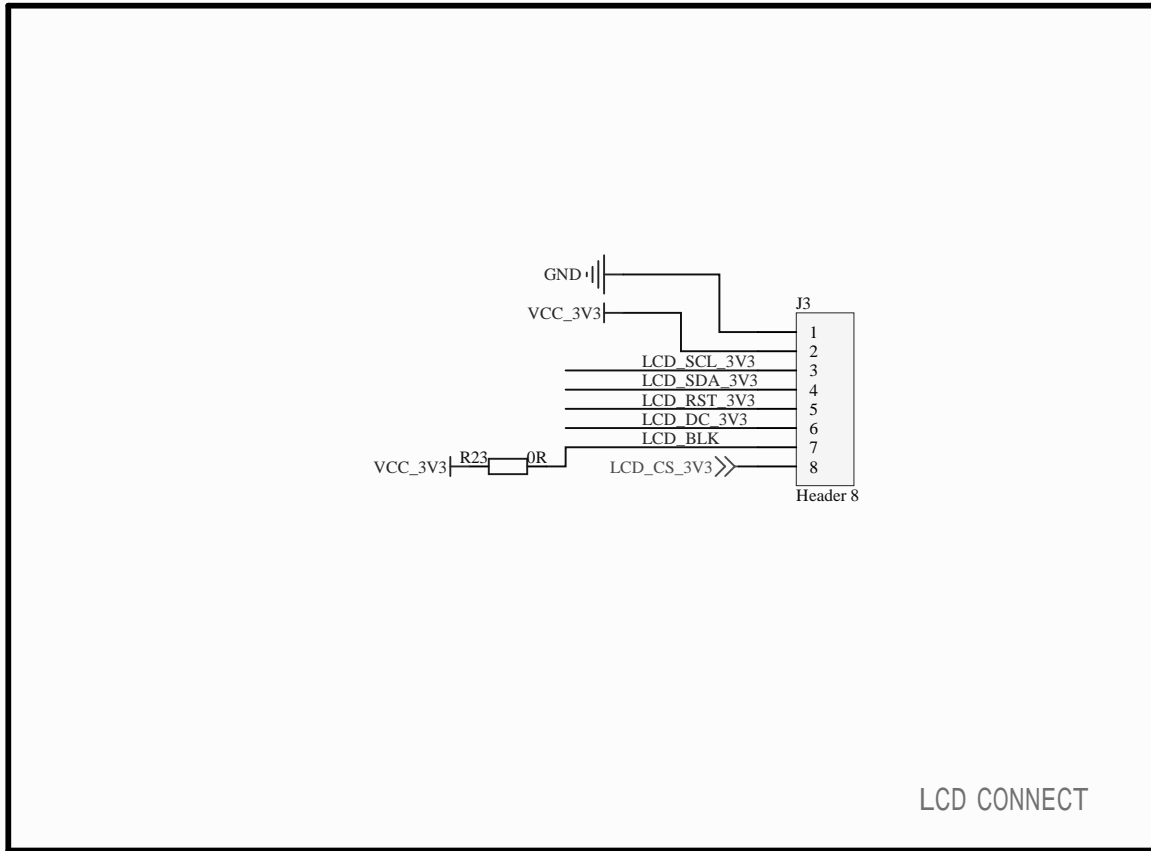
AUDIO

Title		
Size	Number	Revision
A4		
Date:	3-31-2023	Sheet of
File:	G:\...\5.AUDIO.SchDoc	Drawn By:



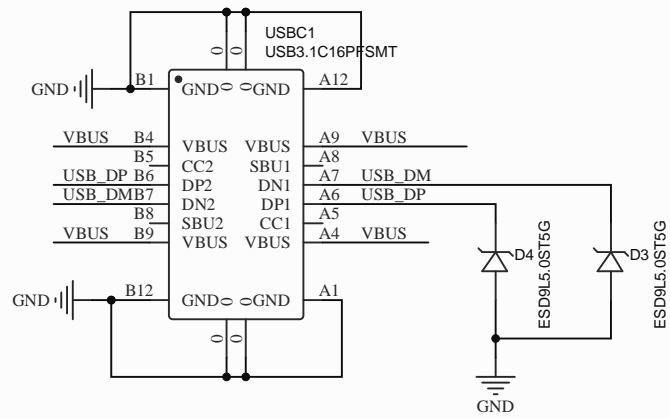
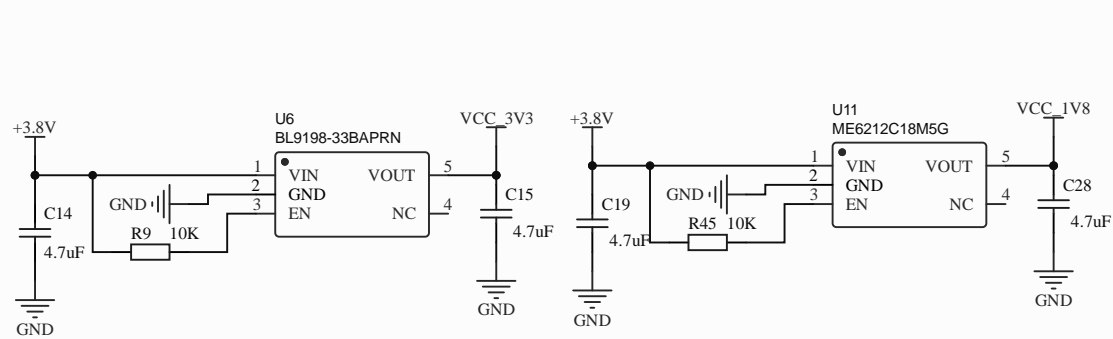
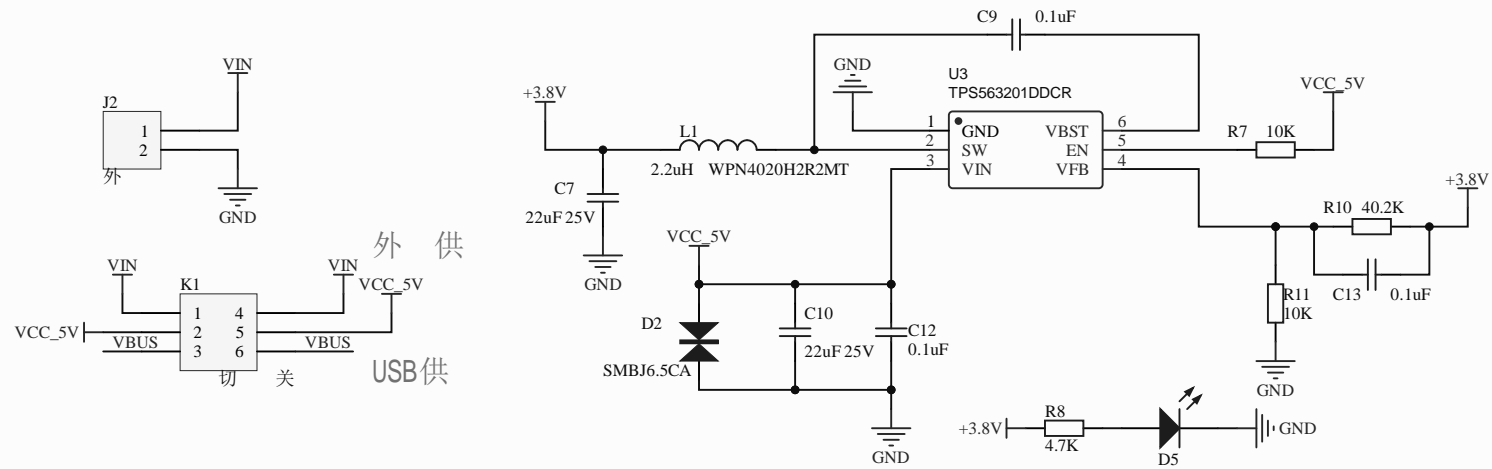
GPIO

Title		
Size A3	Number	Revision
Date: 3-31-2023	Sheet of	
File: G:\...6.GPIO+UART.SchDoc	Drawn By:	



LCD CONNECT

Title		
Size A4	Number	Revision
Date:	3-31-2023	Sheet of
File:	G:\...\7.LCM.SchDoc	Drawn By:



1

2

3

4

A

A

B

B

C

C

D

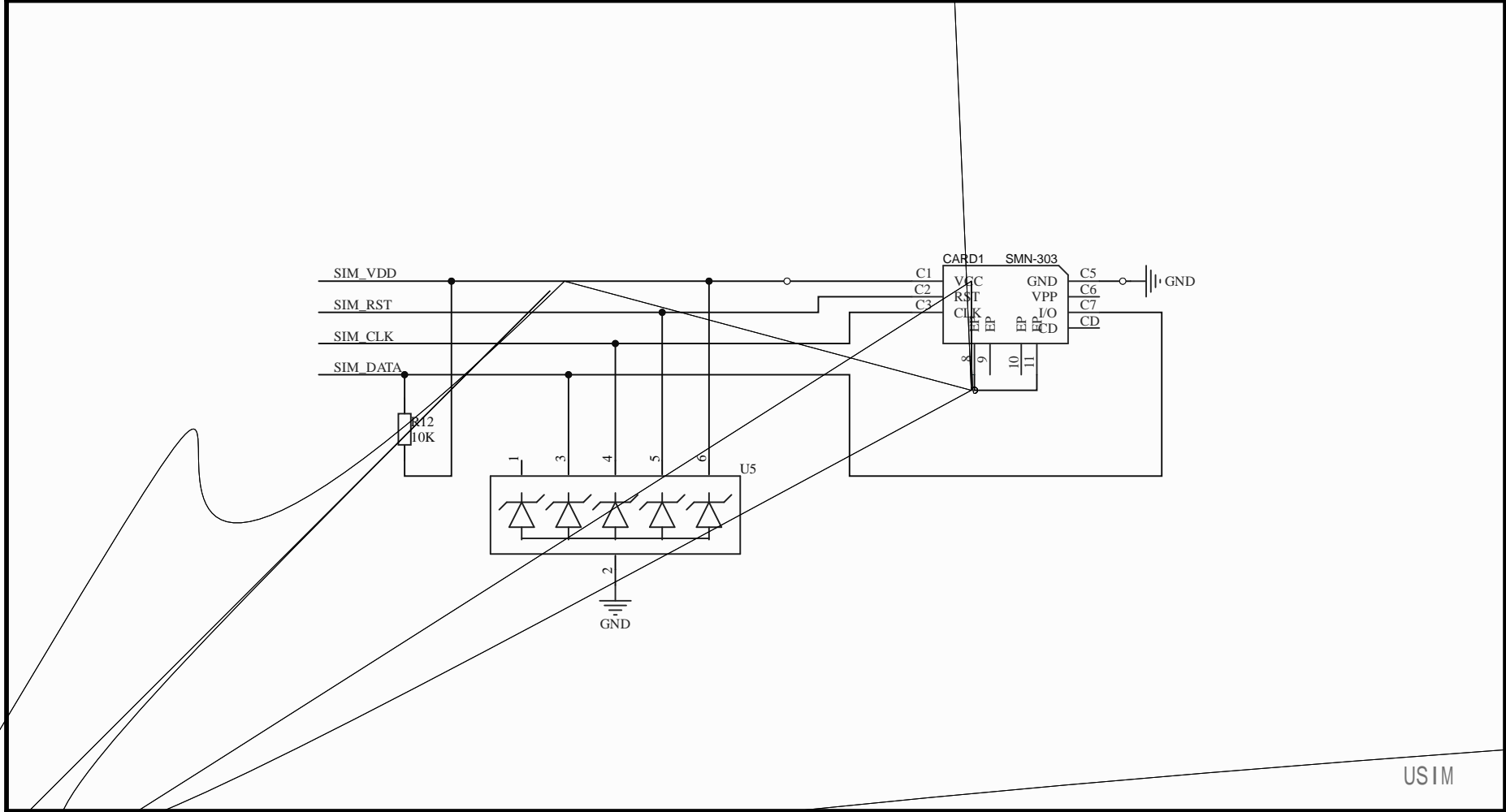
D

1

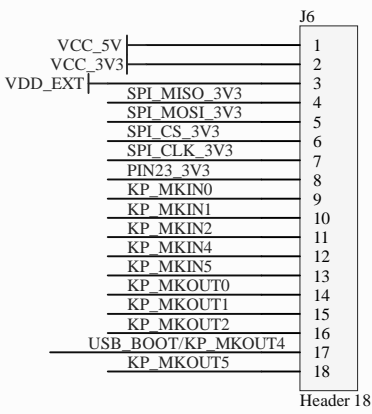
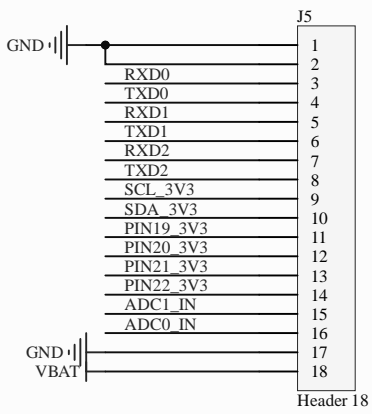
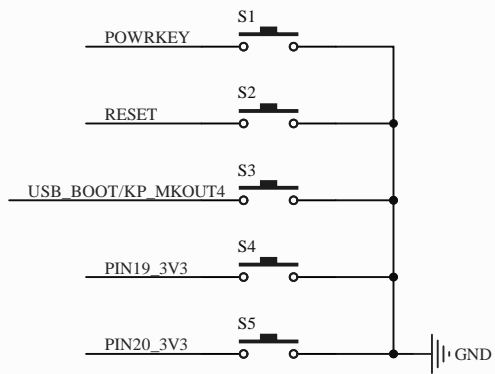
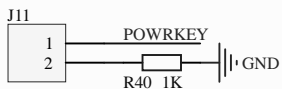
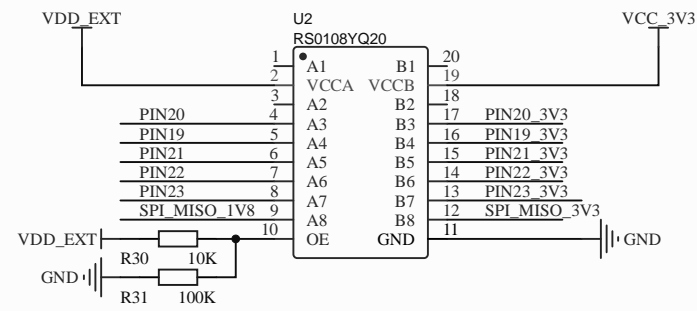
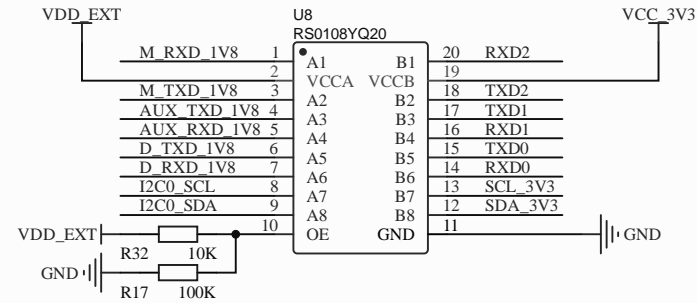
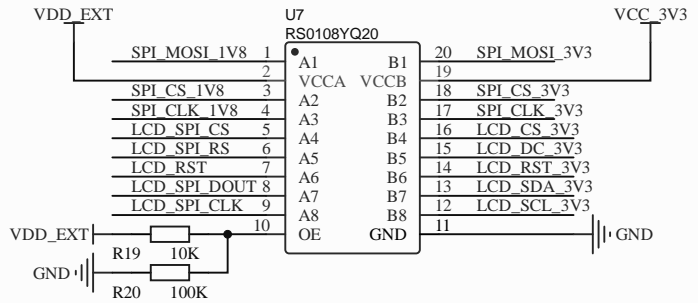
2

3

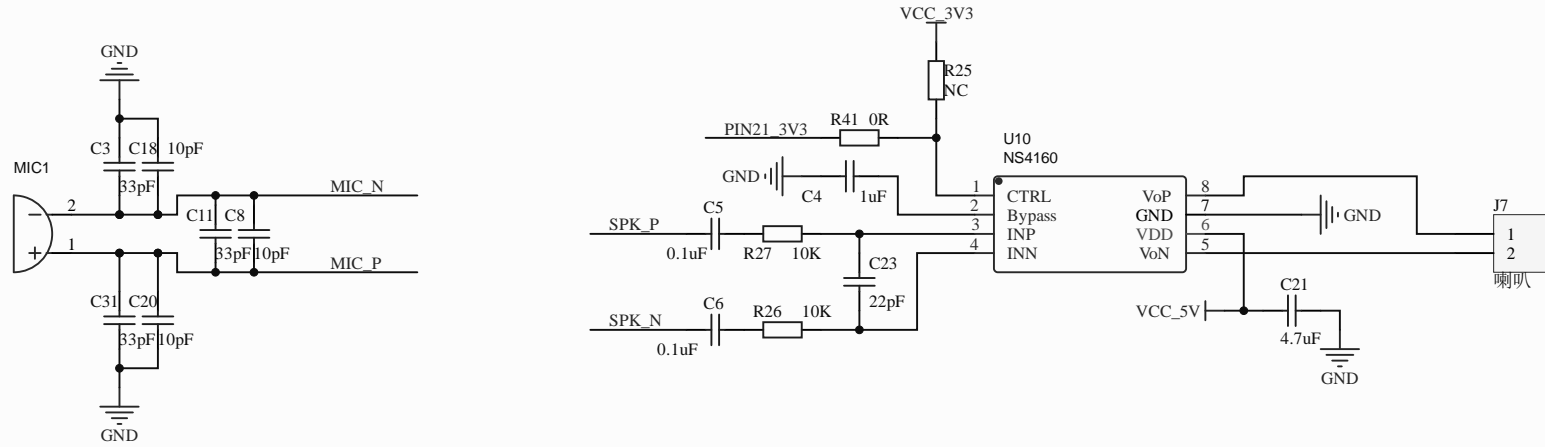
4



USIM



GPIO



AUDIO 分 参 官

AUDIO

1

2

3

4

A

A

B

B

C

C

D

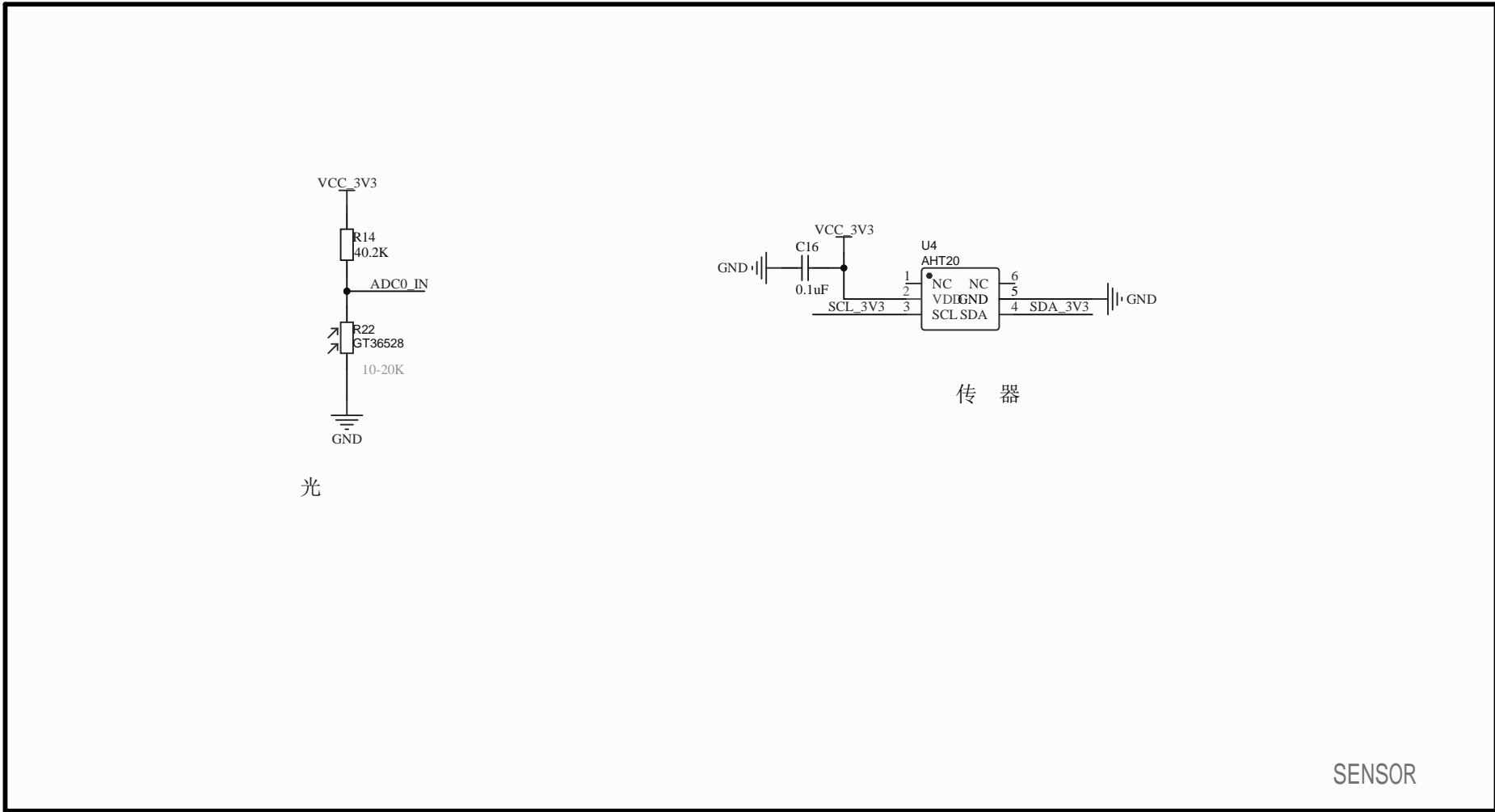
D

1

2

3

4



SENSOR

传感器

光

1

2

3

4

A

A

B

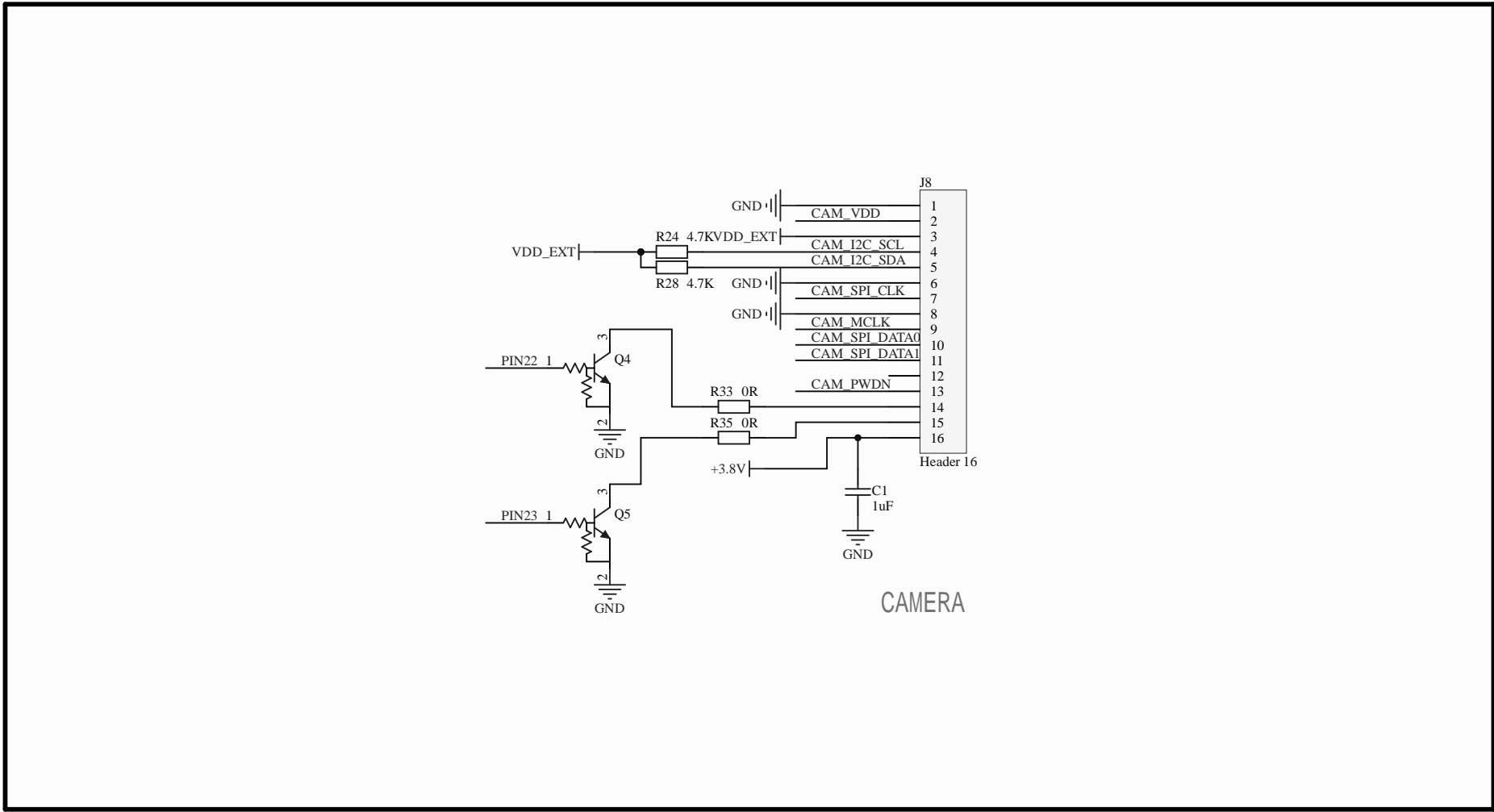
B

C

C

D

D



CAMERA

1

2

3

4

A

A

B

B

C

C

D

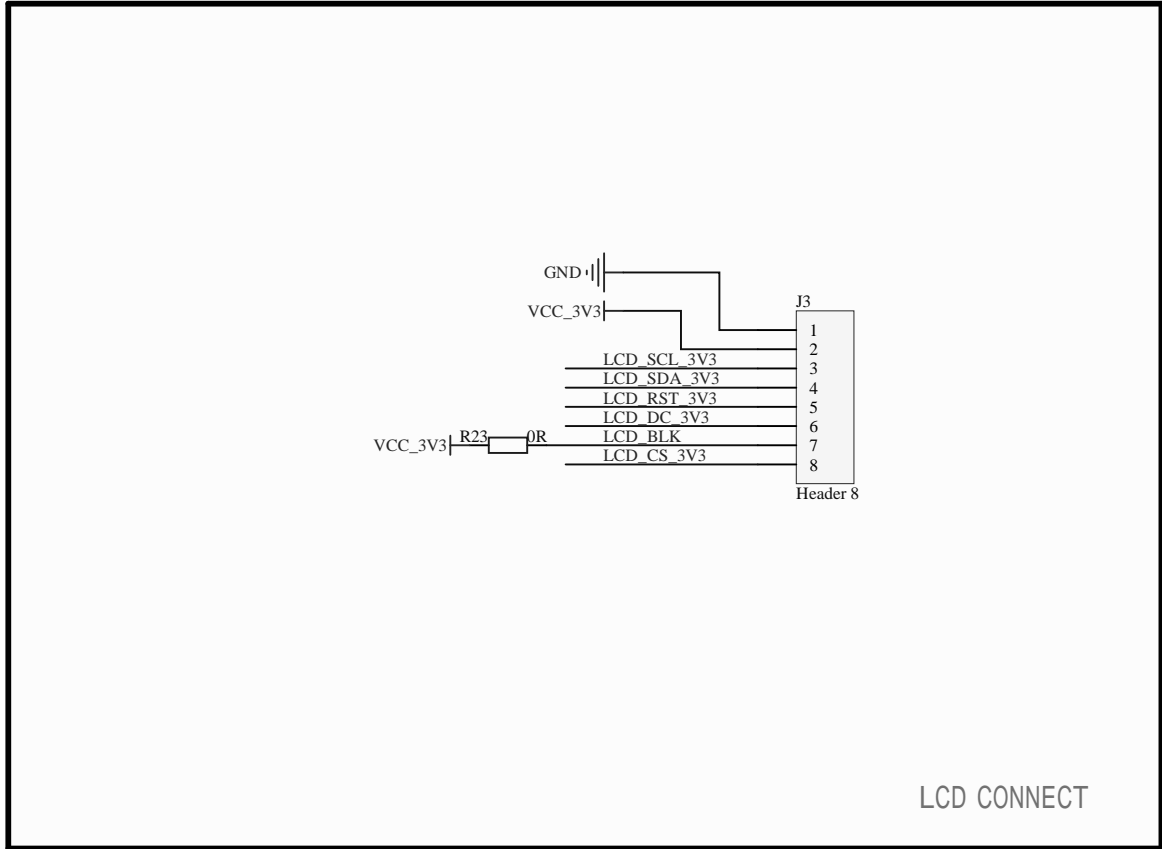
D

1

2

3

4



LCD CONNECT

1

2

3

4

A

A

B

B

C

C

D

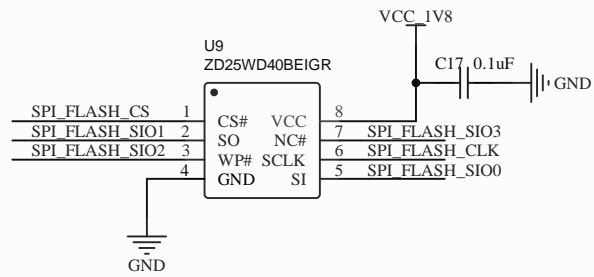
D

1

2

3

4



Flash